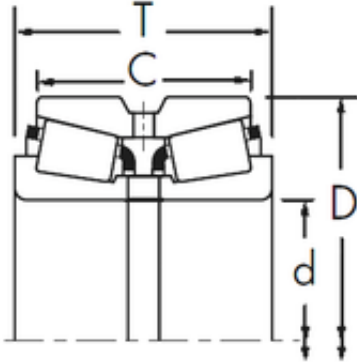


Timken 53162/53376D tapered roller bearings



Bearing No. 53162/53376D

Size	41.275x95.25x65.088 mm
Bore Diameter	41,275 mm
Outer Diameter	95,25 mm
Width	65,088 mm
d	41,275 mm
D	95,25 mm
T	65,088 mm
C	44,45 mm
R	1,5 mm
r	0,8 mm

53162/53376D Bearing 2D drawings and 3D CAD models