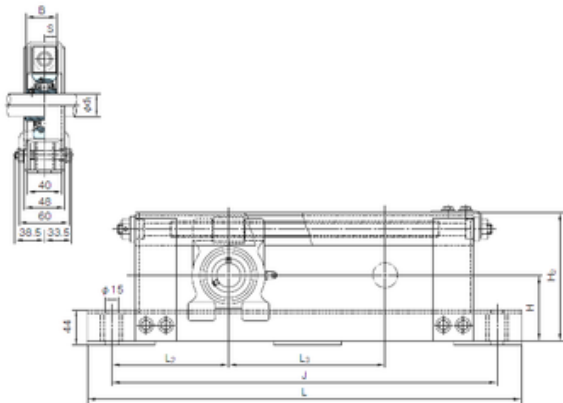


NACHI UCTL206+WL300 bearing units

Bearing No. UCTL206+WL300



UCTL206+WL300 Bearing 2D drawings and 3D CAD models

Bore Diameter	30 mm
Width	38,1 mm
d	30 mm
L2	145 mm
L3	300 mm
B	38,1 mm
H	87 mm
H2	166 mm
J	590 mm
L	650 mm
S	15,9 mm
Bolt (G)	M12