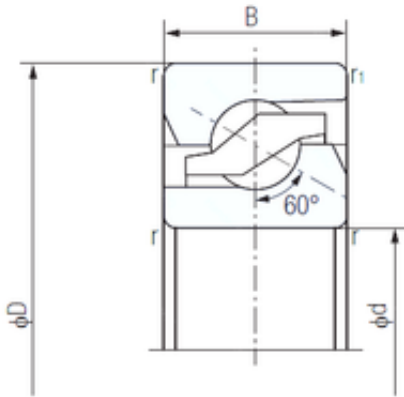


35 mm x 72 mm x 15 mm NACHI 35TAB07 thrust ball bearings

Bearing No. 35TAB07



35TAB07 Bearing 2D drawings and 3D CAD models

| | |
|-------------------------------|------------------|
| Size | 35x72x15 mm |
| Bore Diameter | 35 mm |
| Outer Diameter | 72 mm |
| Width | 15 mm |
| d | 35 mm |
| D | 72 mm |
| B | 15 mm |
| C | 15 mm |
| Angle (°) | 60 ° |
| r min. | 1 mm |
| r1 min. | 0,6 mm |
| Weight | 0,29 Kg |
| Basic dynamic load rating (C) | 32,5 kN |
| Basic static load rating (C0) | 54,3 kN |
| (Grease) Lubrication Speed | 3750 r/min |
| Enclosure | Open |
| Configuration | Single Row |
| Bore Type | Cylindrical Bore |
| Bore Size | 35 mm |
| Outside Diameter | 72 mm |
| Width | 15 mm |
| Fillet Radius/Chamfer | 1 mm |
| r1 | 0.6 mm |
| a | 0 mm |
| 2B | 30 mm |



BEARING-THAILAND CO.,LTD.

| | |
|---|-----------|
| Dynamic Load Rating | 32,500 N |
| Static Load Rating | 54,300 N |
| Limiting Speed - Grease | 3,750 rpm |
| Limiting Speed - Oil | 5,000 rpm |
| Starting Torque - Grease Lubrication | 25 N · cm |
| da1 (min) | 56.2 mm |
| da2 (min) | 49.7 mm |
| Da1 (max) | 56 mm |
| Da2 (max) | 63.4 mm |