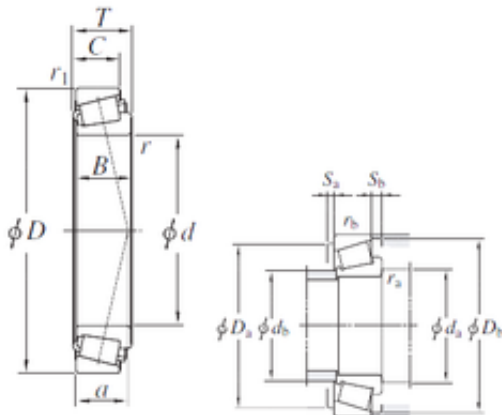


150 mm x 225 mm x 59 mm KOYO 33030JR tapered roller bearings

Bearing No. 33030JR



33030JR Bearing 2D drawings and 3D CAD models

Size	150x225x59 mm
Bore Diameter	150 mm
Outer Diameter	225 mm
Width	59 mm
d	150 mm
D	225 mm
T	59 mm
B	59 mm
C	46 mm
a	47,8 mm
r min.	3 mm
r1 min.	2,5 mm
r2 min.	2,5 mm
da min.	164 mm
da max	164 mm
Da min	200 mm
Da max.	213 mm
db max.	164 mm
Db min.	217 mm
ra max.	2,5 mm
rb max.	2 mm
Db	217 mm
Weight	8,09 Kg
Basic dynamic load rating (C)	459 kN
Basic static load rating (C0)	869 kN

BEARING-THAILAND CO.,LTD.

(Grease) Lubrication Speed	1500 r/min
(Oil) Lubrication Speed	2000 r/min
Calculation factor (e)	0,36
Calculation factor (Y0)	0,9
Category	Bearings
Inventory	0.0
Manufacturer Name	KOYO
Minimum Buy Quantity	N/A
Weight / US pound	17.82
Product Group	B04334
Bearing No.	33030JR
r(min)	3
r1(min)	2.5
Cr	575
C0r	869
Cu	101
Grease lub.	1500
Oil lub.	2000
a	47.8 mm
da(min)	164
db(max)	164
Da(max)	213
Da(min)	200
Db(min)	217
Sa(min)	8
Sb(min)	13
ra(max)	2.5
rb(max)	2
e	0.36
Y1	1.65
Y0	0.90
(Refer.) Mass(kg)	8.09



BEARING-THAILAND CO.,LTD.