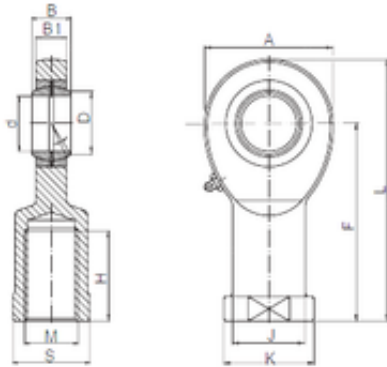


16 mm x 19,3 mm x 21 mm ISO SI 16 plain bearings



Bearing No. SI 16

Bore Diameter	16 mm
d	16 mm
B	21 mm
A	42 mm
B1	15 mm
D	19,3 mm
F	64 mm
H	28 mm
J	22 mm
K	27 mm
L	85 mm
S	22 mm
Bolt (G)	M16

SI 16 Bearing 2D drawings and 3D CAD models