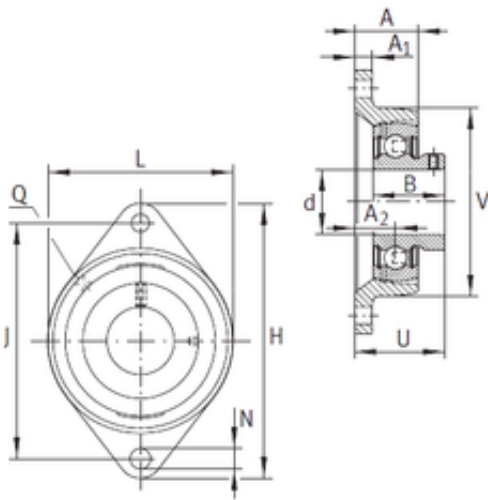


INA PCJTY35-N bearing units

Bearing No. PCJTY35-N



PCJTY35-N Bearing 2D drawings and 3D CAD models

Bore Diameter	35 mm
d	35 mm
V	92 mm
U	46,45 mm
Thread (Q)	Rp1/8
A	30,5 mm
A1	12,5 mm
B	34,95 mm
H	155 mm
J	130 mm
L	92 mm
N	14 mm
A2	21 mm
Weight	1,05 Kg
Basic dynamic load rating (C)	25,5 kN
Category	Flange Block Bearings
Inventory	0.0
Manufacturer Name	SCHAEFFLER GROUP
Minimum Buy Quantity	N/A
Weight / Kilogram	1.3
EAN	4012802096965
Product Group	M06110
Number of Mounting Holes	2
Mounting Method	Set Screw
Housing Style	2 Bolt Flange Block
Rolling Element	Ball Bearing



BEARING-THAILAND CO.,LTD.

Housing Material	Cast Iron
Expansion / Non-expansion	Non-expansion
Mounting Bolts	14 Millimeter
Relubricatable	Yes
Insert Part Number	GAY35NPPB
Seals	Double Lip Contact
Housing Configuration	1 Piece Solid
Pilot Configuration	No Pilot
Inch - Metric	Metric
Long Description	2 Bolt Flange Block; 35MM Bore; 130MM Bolt Circle; 130MM Bolt Spacing; 1 Piece Solid; Set Screw Mount; Cast Iron; Ball Bearing; 35MM Length Thru Bore; Relubricatable; Double Lip Contact Seal
Other Features	Single Row Radial Metric With Grub Screw
Category	Flange Block
UNSPSC	31171501
Harmonized Tariff Code	8483.20.40.40
Noun	Bearing
Keyword String	Flanged
Manufacturer URL	http://www.ina.com
Manufacturer Item Number	PCJTY35
Weight / LBS	2.867
Bore	1.378 Inch 35 Millimeter
Nominal Bolt Circle Diameter Round	5.1 Inch 130 Millimeter
Cartridge Pilot Diameter	0 Inch 0 Millimeter
Bolt Spacing	5.118 Inch 130 Millimeter
Length Thru Bore	1.378 Inch 35 Millimeter