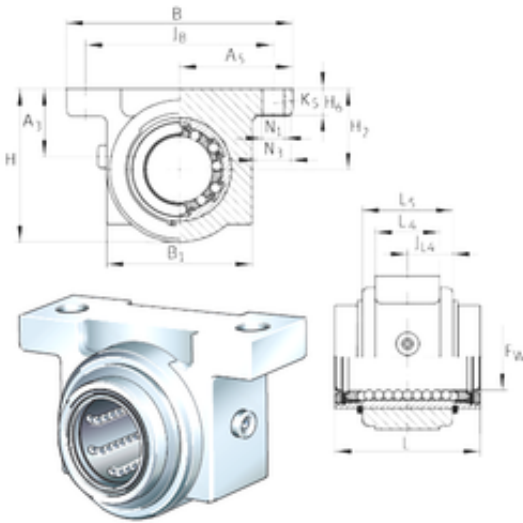


INA KGB40-PP-AS bearing units

Bearing No. KGB40-PP-AS



KGB40-PP-AS Bearing 2D drawings and 3D CAD models

Bore Diameter	40 mm
Fw	40 mm
B	108 mm
H6	12 mm
A5	54 mm
L4	40 mm
L5	56 mm
N3	15 mm
B1	77 mm
H	83,5 mm
H2	45 mm
N1	9 mm
A3	30 mm
L	80 mm
JB	94 mm
Thread (K5)	M8
JL4	28 mm
Weight	1,43 Kg
Basic dynamic load rating (C)	6 kN